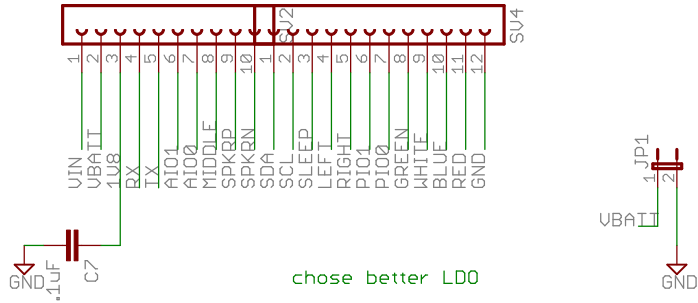
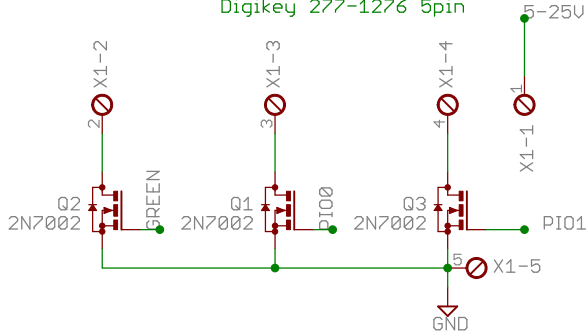


Digikey part number S7020  
 MFG PPTC2211LFBN-RC  
 Header Female, 22pos 1"



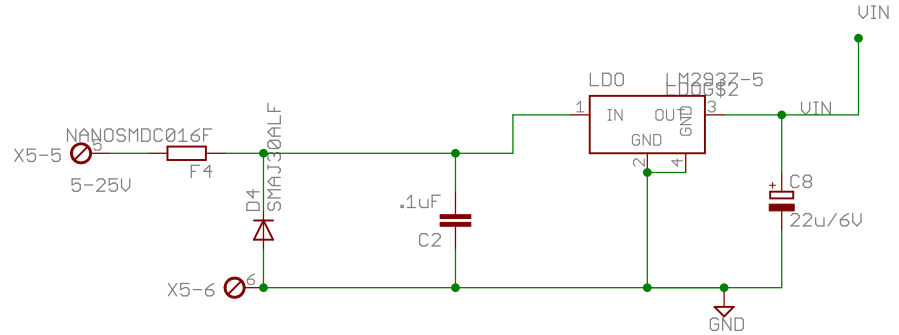
chose better LDO

Digikey 277-1276 5pin

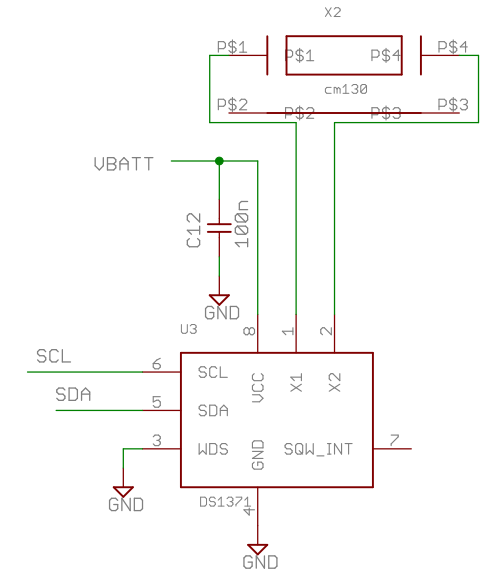
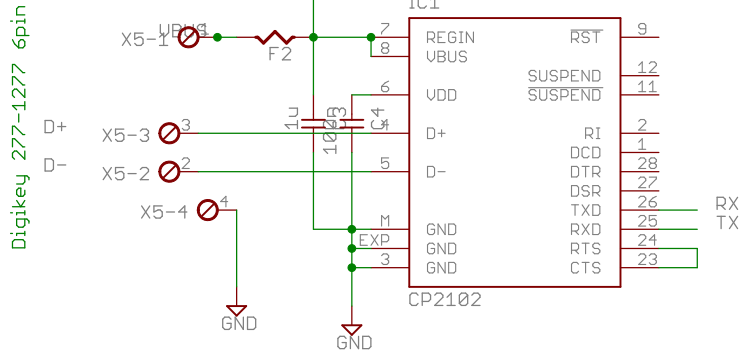


5mm RASTER

Digikey 277-1238, 4 pin



temp analog inputs



TITLE: GenericSensor

Document Number:

REV:

Date: not saved!

Sheet: 1/1